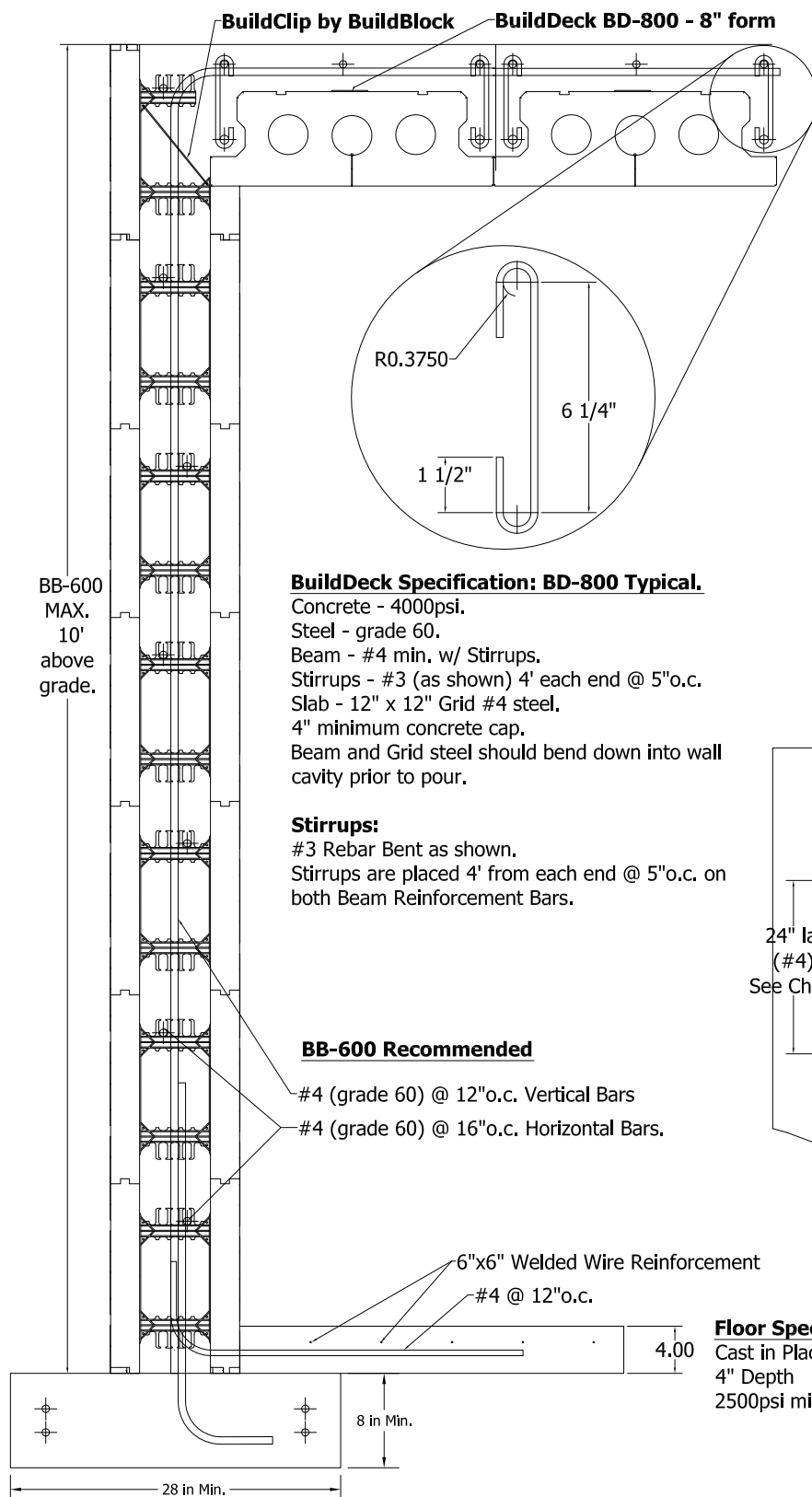


# KEEP YOUR FAMILY SAFE FROM DISASTER WITH BUILDBLOCK SAFEROOMS

Upgrade your master closet, pantry, or bathroom to an ICF safe room and protect your most valuable assets.

**CONTACT BUILDBLOCK**  
**866-222-2575**

Make your home a safe home.  
*Build it once. Build it for life.*<sup>TM</sup>



**BuildDeck Specification: BD-800 Typical.**

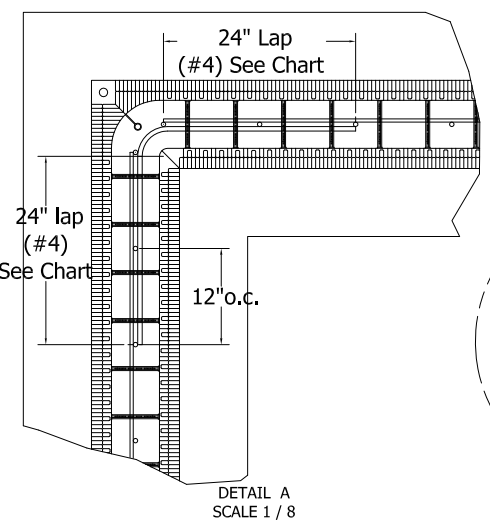
Concrete - 4000psi.  
Steel - grade 60.  
Beam - #4 min. w/ Stirrups.  
Stirrups - #3 (as shown) 4' each end @ 5"o.c.  
Slab - 12" x 12" Grid #4 steel.  
4" minimum concrete cap.  
Beam and Grid steel should bend down into wall cavity prior to pour.

**Stirrups:**

#3 Rebar Bent as shown.  
Stirrups are placed 4' from each end @ 5"o.c. on both Beam Reinforcement Bars.

**BB-600 Recommended**

#4 (grade 60) @ 12"o.c. Vertical Bars  
#4 (grade 60) @ 16"o.c. Horizontal Bars.

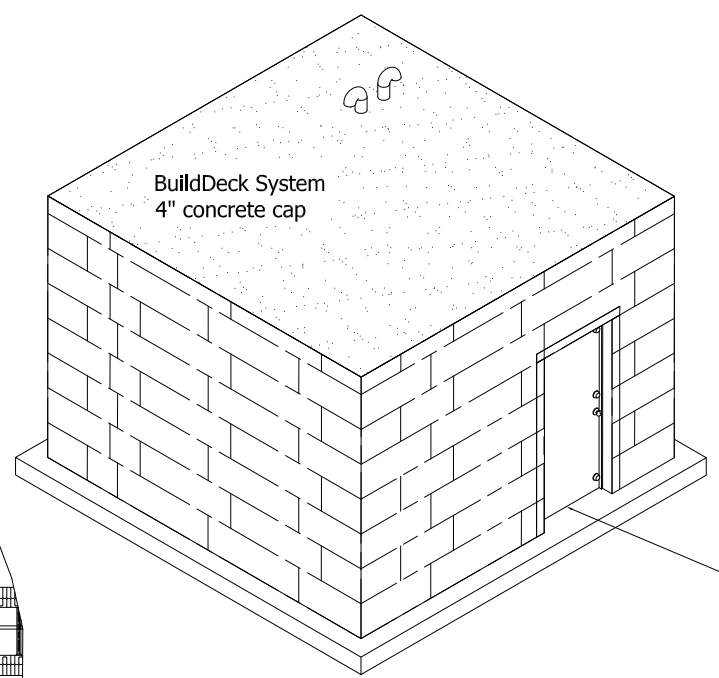


**Floor Specification:**

Cast in Place Concrete Floor  
4" Depth  
2500psi min.

**Footing Specifications:**

28" wide min.  
8" thick min.  
Base of footing min 12" below grade. (IRC R403.1.3.2)  
Top of footing must be at frost line. (IRC R403.1.4.1)



**FEMA Door Specifications:**

12ga or 14ga Steel Skin (Field Applied)  
3 Point lock.  
See FEMA 320 for reinforcement details.

**General Specifications:**

All Concrete should be 3000psi min. (except where noted)  
All Steel should be grade 60 Min.

**Lap Splice Lengths:**

#4 - 24"  
#5 - 30"  
#6 - 36"

**Rebar protection (Concrete Cover):**

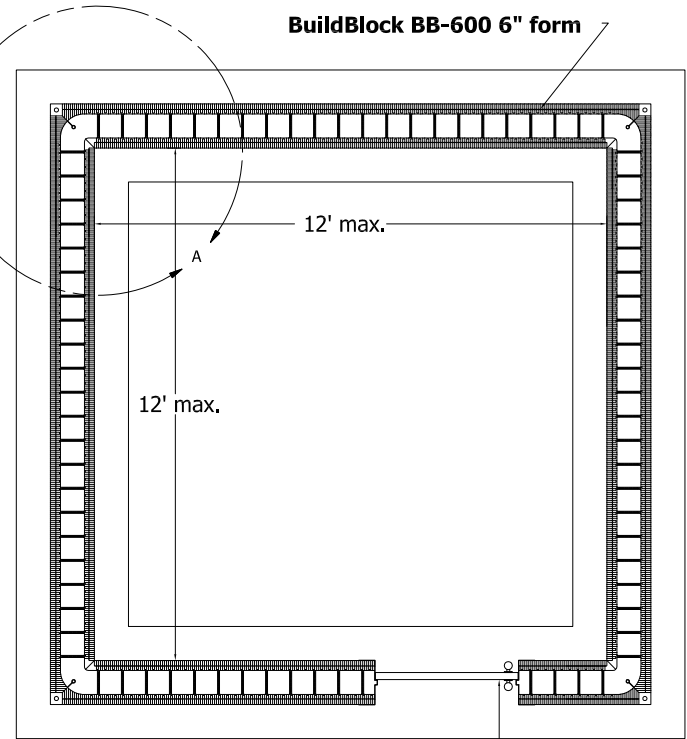
Concrete placed against earth - 3"  
Concrete placed in removable forms - 1-1/2"  
Concrete in ICF forms - 3/4" (PCA100 - 2.5.1)

**Maximum Dimensions with this Document:**

Maximum wall length - 12' interior dimension.  
Maximum wall height - 6" flat wall - 10' (Above Grade)

**Signage:**

1. Install a plaque, sign or other marking to clearly identify: 250 MPH, 3 Sec gust Safe Room Design Wind Speed Missile Impact Resistance Rating for:
  - A. 15lb 2x4 travelling Horizontally at 100 MPH
  - B. 15lb 2x4 travelling Vertically at 67 MPH
  - C. Name of shelter manufacturer or builder.
2. The sign shall be mounted on the inside wall of the safe room in a prominent location 60" above the floor.



**BB BuildBlock**  
INSULATING CONCRETE FORMS  
9705 N. BROADWAY EXTENSION, SUITE 200, OKLAHOMA CITY, OK 73114  
OFFICE: 405-840-3386 | TOLL FREE: 866-222-2575 | FAX: 831-597-0792  
BUILDBLOCK.COM

This design incorporates BuildBlock Insulating Concrete Forms and BuildDeck Floor & Roof System to create a saferoom structure that complies with FEMA 320 specifications.

CONSTRUCTION SHALL BE IN ACCORDANCE WITH ALL APPLICABLE LOCAL AND NATIONAL CODES. ALL DRAWINGS ARE SUBJECT TO CHANGE WITHOUT NOTICE.

DATE	5/30/2013	REVISION	1
SCALE	NTS	FILENAME	AGSR-Detail-01.dwg
NOTES			