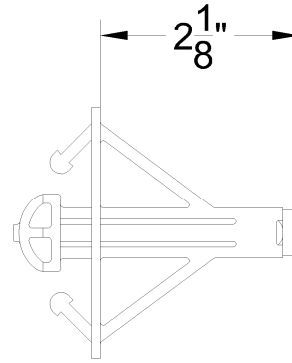
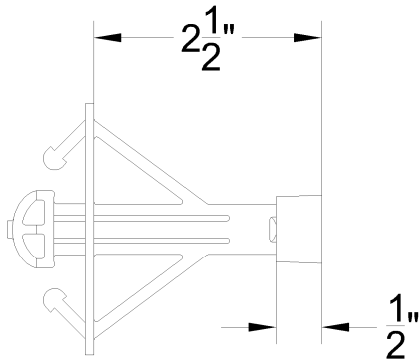


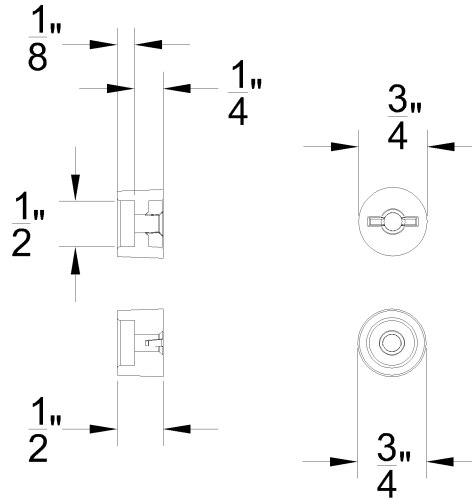
1 END VIEW



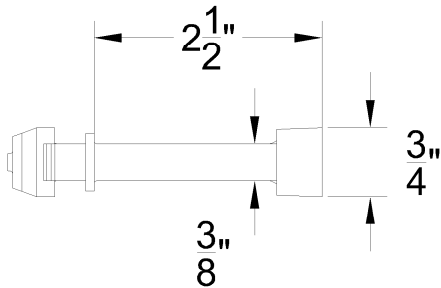
2 SIDE VIEW



3 SIDE VIEW WITH CAP



4 CAP VIEWS



5 BOTTOM VIEW

DATE / REVISION / BY	7-1-23 / 1 / AQ
SCALE	NTS
FILE NAME	1.921 - BBHW