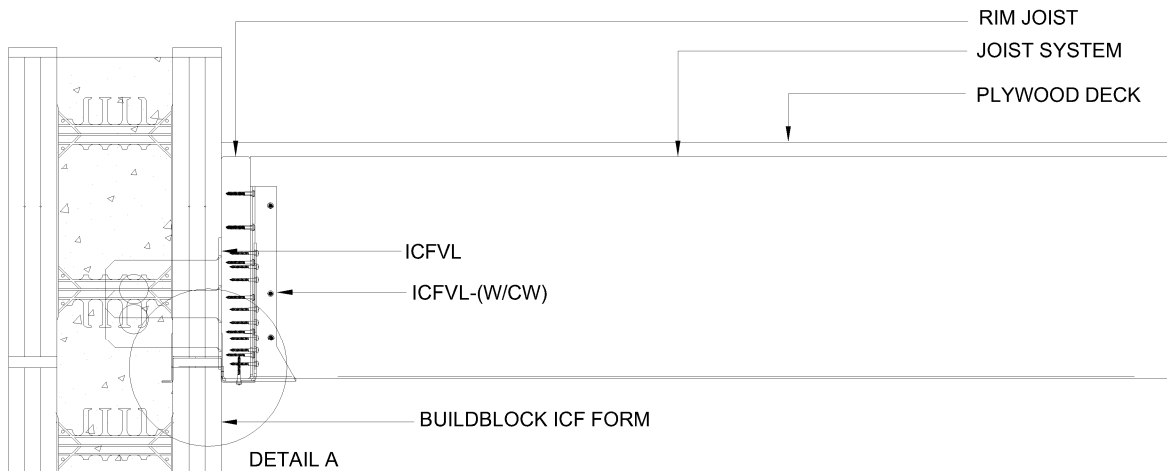
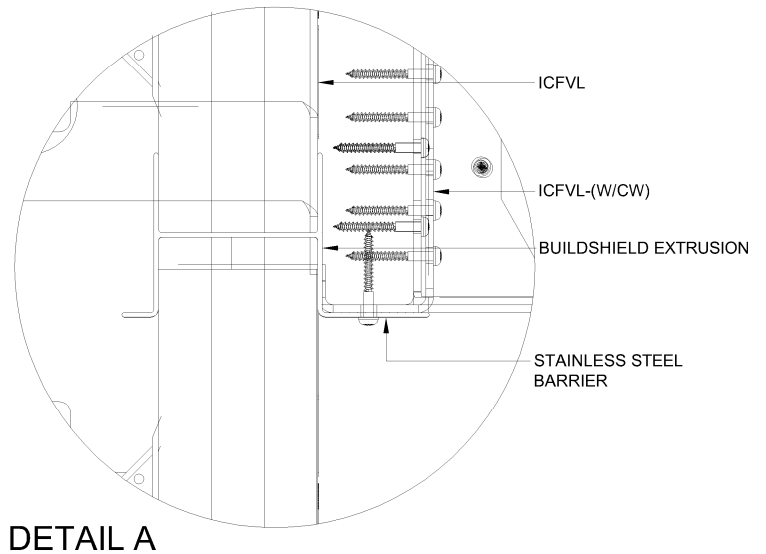


1. BUILDSHIELD FIRESTOP SHOULD BE PLACED SO THAT THE FLANGES ALIGN WITH THE TOP OR BOTTOM OF A JOIST TYPE FLOOR SYSTEM.
2. BUILDSHIELD FIRESTOP SHOULD NOT BE INSTALLED SUCH THAT THE FLANGE IS CUT FLUSH WITH THE EPS, AND ALIGNING IN THE CENTER OF THE RIM JOIST.
3. THE STAINLESS STEEL BARRIER MUST HAVE NO HOLES, GAPS, BUBBLES OR WRINKLES. IF NECESSARY, CUT SMALL PIECES OF STAINLESS STEEL BARRIER TO CREATE PATCHES.
4. OVERLAP SHOULD BE 2" MINIMUM AT ALL SEAMS AND PATCHES,
5. MECHANICAL ATTACHMENTS SUCH AS PAN HEAD SCREWS SHOULD BE PLACED THROUGH THE STAINLESS STEEL BARRIER INTO THE WOOD OR STEEL RIM JOISTS AT 12" O.C. THIS WILL PREVENT THE BARRIER FROM SAGGING DURING A FIRE. SEE DETAIL A.



BUILDSHIELD INSTALLATION WITH WOOD JOIST FLOOR SYSTEM:
 BUILDSHIELD SHOULD BE INSTALLED TO EXTEND BELOW THE JOIST OR BE SANDWICHED BETWEEN HORIZONTAL MEMBERS WITHIN THE FLOOR SYSTEM. IT IS IMPORTANT FOR BUILDSHIELD TO BE MECHANICALLY AFFIXED TO THE RIM JOISTS, EITHER WITH SCREWS (12" O.C. MAX) OR OTHER MEANS, TO PREVENT ADHESIVE RELEASE DURING A FIRE. BUILDSHIELD IS DESIGNED TO PREVENT THE CHIMNEY EFFECT AT THE FOAM ON THE INSIDE OF THE ICF.